



### Main

Range of product	Modicon Quantum automation platform
Product or component type	Analogue input module
Type of filter	Single pole low pass - 3 dB at 15 Hz +/- 20 %

### Complementary

Analogue input number	8
Input type	Differential
Addressing requirement	9 input words
Analogue input resolution	12 bits
Linear measuring range	1...5 V 4...20 mA
Absolute maximum input	50 V DC 25 mA
Input impedance	250 Ohm current +/- 0.01 % > 20 MOhm voltage
Absolute accuracy error	+/- 0.1 % of full scale maximum +/- 0.05 % of full scale
Linearity error	+/- 0.04 %
Accuracy drift according to temperature	<= 0.005 % of full scale/°C +/- 0.0025 % of full scale/°C
Common mode rejection	> -72 dB 60 Hz
Isolation between channels and bus	3000 V DC for 60 s 1000 V DC
Isolation between channels	30 V DC
Update time	5 ms
Fault type	Undervoltage range 1...5 V Broken wire 4...20 mA
Marking	CE
Local signalling	8 LEDs red channel fault 8 LEDs green channel is turned on 1 LED red external fault 1 LED green bus communication is present (Active)
Bus current requirement	240 mA
Power dissipation in W	2 W
Module format	Standard
Product weight	0.3 kg

The information provided in this documentation contains general descriptions and/or technical characteristics of the performance of the products contained herein. This documentation is not intended as a substitute for and is not to be used for determining suitability or reliability of these products for specific user applications. It is the duty of any such user or integrator to perform the appropriate and complete risk analysis, evaluation and testing of the products with respect to the relevant specific application or use thereof. Neither Schneider Electric Industries SAS nor any of its affiliates or subsidiaries shall be responsible or liable for misuse of the information contained herein.

## Environment

Standards	CSA C22.2 No 142 UL 508
Product certifications	CUL FM Class 1 Division 2
Resistance to electrostatic discharge	8 kV on air conforming to IEC 801-2 4 kV contact conforming to IEC 801-2
Resistance to electromagnetic fields	10 V/m 80...1000 MHz conforming to IEC 801-3
Ambient air temperature for operation	0...60 °C
Ambient air temperature for storage	-40...85 °C
Relative humidity	95 % without condensation
Operating altitude	<= 5000 m

## Offer Sustainability

Sustainable offer status	Green Premium product
RoHS	Compliant - since 0852 - <a href="#">Schneider Electric declaration of conformity</a>
REACH	Reference not containing SVHC above the threshold
Product environmental profile	Available <a href="#">Download Product Environmental</a>
Product end of life instructions	Need no specific recycling operations

## Contractual warranty

Period	18 months
--------	-----------

Racks for Modules Mounting

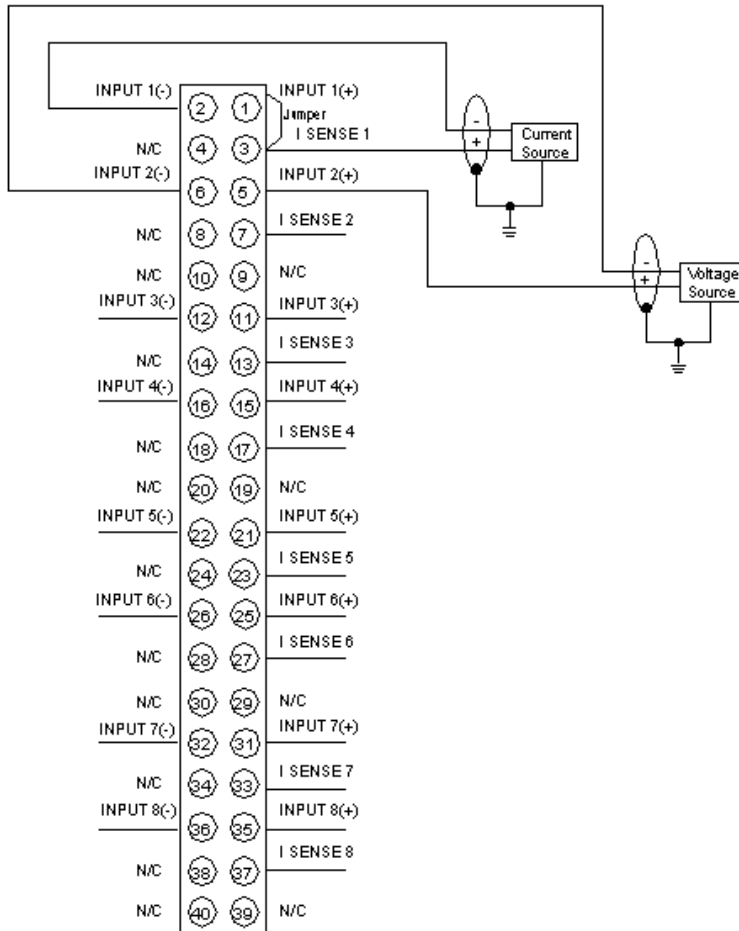
Dimensions of Modules and Racks



- (1) 2 slots
- (2) 3 slots
- (3) 4 slots
- (4) 6 slots
- (5) 10 slots
- (6) 16 slots

Analog Input 8-Channel Unipolar Module

Wiring Diagram



N/C Not Connected

The maximum channel to channel working voltage cannot exceed 30 Vdc.