

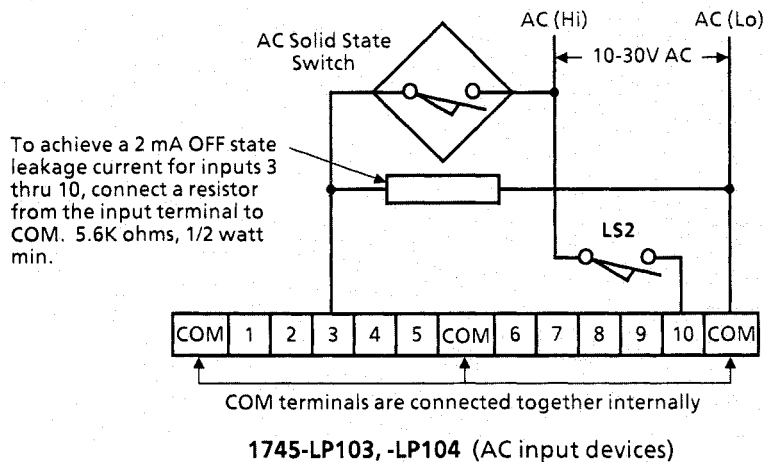
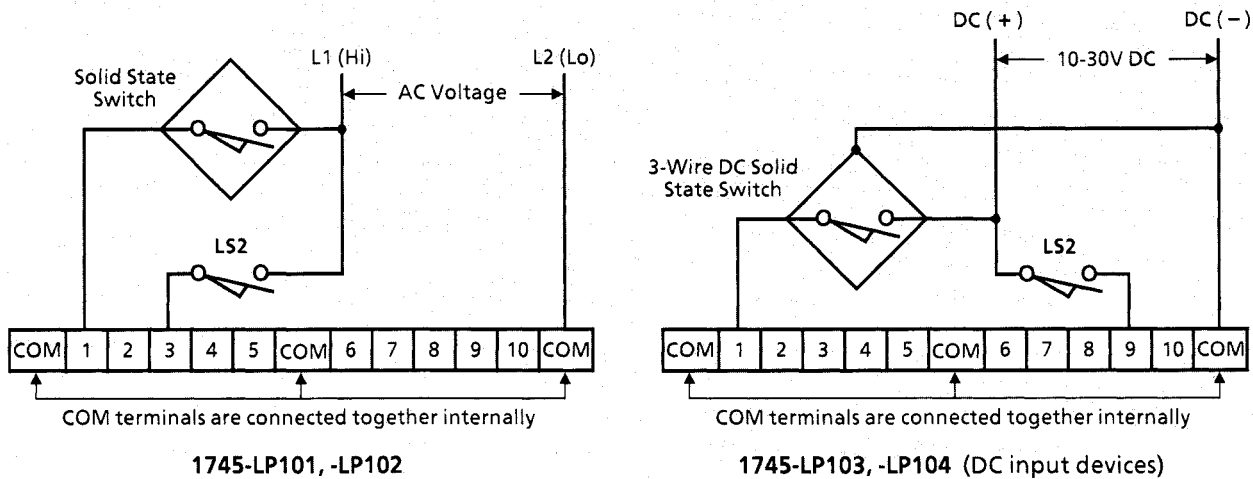
### Input Wiring Connections

SLC 100 input circuitry is current sinking, compatible with current sourcing (PNP) input devices. Circuitry includes optical isolation and surge suppression to guard against damage by transients from user input devices.

A direct interface to solid state sensing devices and SLC 100 controller output circuits is possible because of the 2 mA OFF state leakage current specification, indicated in the following table. Note that the 2 mA value applies only to inputs 1 and 2 in some units. You can achieve a 2 mA current value for inputs 3 thru 10 by adding a resistor, as indicated.

Catalog Number	Maximum OFF State Leakage Current	① To achieve a 2 mA OFF state leakage current for inputs 3 thru 10, connect a resistor from the input terminal to the COM terminal as shown in the wiring diagram.
1745-LP101 1745-LP102	2 mA, all inputs	
1745-LP103 1745-LP104	2 mA, inputs 1 and 2 only ①	

Input terminal coverplates are color coded according to voltage:  
115VAC – red, 230VAC – black, 24VDC – blue.



## Output Wiring Connections

Wiring connections for output devices are shown below. Note that the diagram shows the internally-connected output contacts and parallel RC networks. The RC networks guard against possible damage by transients from external output devices.

External connections are shown for outputs 11, 15, and 16. We've added a suppressor in parallel with two of the external devices for the purpose of contact protection. Contact protection is discussed on Page 8.

Since the output contacts are isolated from each other, each output circuit can be wired independently, with its own ground return. You can apply a different voltage in each output circuit, as your application might require. Power or ground wires can be jumpered between sets of terminals if desired.

You should provide appropriate fusing to protect the output devices and wiring from short circuits and overload conditions.

