

General Specifications

Digital I/O Modules (for FIO)



GS 33J60F70-01EN

[Release 6]

■ GENERAL

This GS covers the hardware specifications of the Digital I/O Modules (FIO) that can be installed in the ESB Bus Node Unit (ANB10S, ANB10D), Optical ESB Bus Node Unit (ANB11S, ANB11D), and the Field Control Unit (AFV30S, AFV30D, AFV40S, AFV40D).

■ STANDARD SPECIFICATIONS

● Digital Input Modules

The Digital Input Modules receive 32-channel or 64-channel 24 V DC ON/OFF signals. The ADV151 and ADV161 can be used in dual redundant configuration.

Item	Specifications	
	Model	ADV151-P/ADV151-E (*1)
Number of input channels	32	64
Rated input voltage (*2)	24 V DC (sink/source)	24 V DC (sink/source)
Input ON voltage	18 to 26.4 V DC	20 to 26.4 V DC
Input OFF voltage	5.0 V DC or less	5.0 V DC or less
Input current (at rated input voltage)	4.1 mA±20 % / channel	2.5 mA±20 % / channel
Maximum allowable input voltage	30.0 V DC	30.0 V DC
Withstanding voltage	Between input signal and system: 2 kV AC, For 1 minute Between commons: 500 V AC, For 1 minute, common every 16-channel (*3)	
Functions		
Status input	Function for detecting ON/OFF status	Function for detecting ON/OFF status
Pushbutton input	Function for counting the pushbutton edges	Function for counting the pushbutton edges
SOE input	Function for capturing the SOE data	—
Input response time	8 ms or less (for status input)	
Minimum ON detection time	20 ms (for pushbutton input)	
Maximum ON/OFF cycle	25 Hz (for pushbutton input)	
Maximum current consumption	500 mA (5 V DC)	550 mA (5 V DC)
Weight	Approx. 0.30 kg	Approx. 0.30 kg
External connection	Pressure clamp terminal, Dedicated cable (AKB331), MIL connector cable	Dedicated cable (AKB337), MIL connector cable

*1: ADV151-E cannot be installed in the ER Bus Node Unit.

*2: ADV151 and ADV161 are common every 16-channel. All voltage input signals to be connected (24 V DC) must be in the same polarity.

*3: The withstanding voltage for using a dedicated cable is 500 V AC (between input signal and system).
The withstanding voltage for using MIL connector cable depends on the electrical specifications of its cable.

● Digital Output Modules

The Digital Output Modules output 32-channel or 64-channel transistor contact signals.

The ADV551 and ADV561 can be used in dual redundant configuration.

Item	Specifications	
	ADV551	ADV561
Number of output channels	32	64
Rated applied voltage	24 V DC	24 V DC
External power supply rating	24 V DC, 50 mA	24 V DC, 100 mA
External power supply voltage range	20.4 to 26.4 V DC	20.4 to 26.4 V DC
Output ON voltage maximum value	2 V DC	2 V DC
Leak current maximum value when output OFF	0.1 mA	0.1 mA
Output format	Current sink	Current sink
Maximum load current (*1)	100 mA/channel, 26.4 V	100 mA/channel, 26.4 V
Withstanding voltage	Between output signal and system: 2 kV AC, For 1 minute Between commons: 500 V AC, For 1 minute, common minus (-) side every 16-channel (*2)	
Functions		
Status output	ON/OFF status output function	ON/OFF status output function
Pulse width output	One-shot pulse width output function	One-shot pulse width output function
Time-proportioning output	Time-proportioning ON/OFF	Time-proportioning ON/OFF
Output response time	3 ms or less (for status output) 10 ms or less (for mixed status and pulse outputs)	
Pulse width	8 ms to 7200 s	
Pulse width resolution	8 ms, but ON/OFF delay of maximum 1 ms is added	
Maximum current consumption	700 mA (5 V DC) 60 mA (external power supply)	700 mA (5 V DC) 120 mA (external power supply)
Weight	Approx. 0.20 kg	Approx. 0.30 kg
External connection	Pressure clamp terminal, Dedicated cable (AKB331), MIL connector cable	Dedicated cable (AKB337), MIL connector cable

*1: Connect a diode when driving DC relay.

*2: The withstanding voltage for using a dedicated cable is 500 V AC (between output signal and system).
The withstanding voltage for using MIL connector cable depends on the electrical specifications of its cable.

● Digital I/O Modules (CENTUM-ST Compatible)

The Digital I/O Modules (CENTUM-ST Compatible) receive contact or voltage status signals from the field, and/or output status signals to the field via transistor contacts.

Item	Specifications		
	Model	ADV859	ADV159
Number of I/O channels	16-channel input, 16-channel output	32-channel input	32-channel output
Signal isolation	Isolated channels	Isolated channels	Isolated channels
Input signal	Contact input: OFF signal 100 k Ω or more ON signal 200 Ω or less Minimum current value when contact is short-circuited: 1.25 mA Voltage input: OFF signal 4.5 to 25 V DC ON signal \pm 1 V DC, 200 Ω or less		—
Input contact rating	5 V DC, 20 mA or more		—
Pushbutton input function	Not supported	Supported	—
Input response time	8 ms (for status input)	8 ms (for status input)	—
Minimum ON detection time	—	20 ms (for pushbutton input)	—
Maximum ON/OFF cycle	—	25 Hz (for pushbutton input)	—
Output signal	Transistor contact	—	Transistor contact
Output contact rating	Inductive load, resistive load: 30 V DC, 100 mA (*1)	—	Inductive load, resistive load: 30 V DC, 100 mA (*1)
Output response time	16 ms or less	—	16 ms or less
Pulse width	8 ms to 7200 s	—	8 ms to 7200 s
Pulse width resolution	8 ms, add max. 1ms for ON/OFF delay time	—	8 ms, add max. 1ms for ON/OFF delay time
Maximum current consumption	450 mA (5 V DC)	330 mA (5 V DC)	570 mA (5 V DC)
Weight	Approx. 0.30 kg	Approx. 0.40 kg	Approx. 0.30 kg
External connection	Dedicated cable (KS2)	Dedicated cable (KS2)	Dedicated cable (KS2)
Compatible card	ST2 compatible	ST3 compatible	ST4 compatible

*1: Connect a diode when driving DC relay.

Item	Specifications		
	Model	ADV869	ADV169
Number of I/O channels	32-channel input, 32-channel output	64-channel input	64-channel output
Signal isolation	Common every 16-channel	Common every 16-channel	Common every 16-channel
Input signal	Contact input: OFF signal 100 k Ω or more ON signal 200 Ω or less Minimum current value when contact is short-circuited: 1.25 mA Voltage input: OFF signal 4.5 to 25 V DC ON signal \pm 1 V DC, 200 Ω or less		—
Input contact rating	5 V DC, 20 mA or more		—
Pushbutton input function	Not supported	Not supported	—
Input response time	8 ms (for status input)	8 ms (for status input)	—
Output signal	Transistor contact	—	Transistor contact
Output contact rating	Inductive load, resistive load: 30 V DC, 100 mA (*1)	—	Inductive load, resistive load: 30 V DC, 100 mA (*1)
Output response time	16 ms or less	—	16 ms or less
Pulse width	8 ms to 7200 s	—	8 ms to 7200 s
Pulse width resolution	8 ms, add max. 1 ms for ON/ OFF delay time	—	8 ms, add max. 1 ms for ON/ OFF delay time
Maximum current consumption	800 mA (5 V DC)	800 mA (5 V DC)	800 mA (5 V DC)
Weight	Approx. 0.30 kg	Approx. 0.30 kg	Approx. 0.30 kg
External connection	Dedicated cable (KS9)	Dedicated cable (KS9)	Dedicated cable (KS9)
Compatible card	ST5 compatible	ST6 compatible	ST7 compatible

*1: Connect a diode when driving DC relay.

● **Function Assignment in Digital Modules**

Select the patterns for assigning functions channel-by-channel in digital modules.

The following table lists the correspondence between the module types and point modes.

Table: Correspondence Between the Module Types and Point Modes

Point Mode	Module Type
SI	Status input
PB	Pushbutton input
SO	Status output
PW	Pulse width output
TP	Time-proportioning ON/OFF output

ADV151

	Pattern 1	Pattern 2
CH1	32-point SI	32-point PB
CH32		

ADV161

	Pattern 1	Pattern 2
CH1	32-point (1-32ch) SI	32-point (1-32ch) PB
CH32 CH33		
CH64	32-point (33-64ch) SI	32-point (33-64ch) SI

F07E.ai

ADV551

	Pattern 1	Pattern 2	Pattern 3 (*2)
CH1	32-point SO	32-point PW or TP (*1)	32-point SO or PW or TP
CH32			

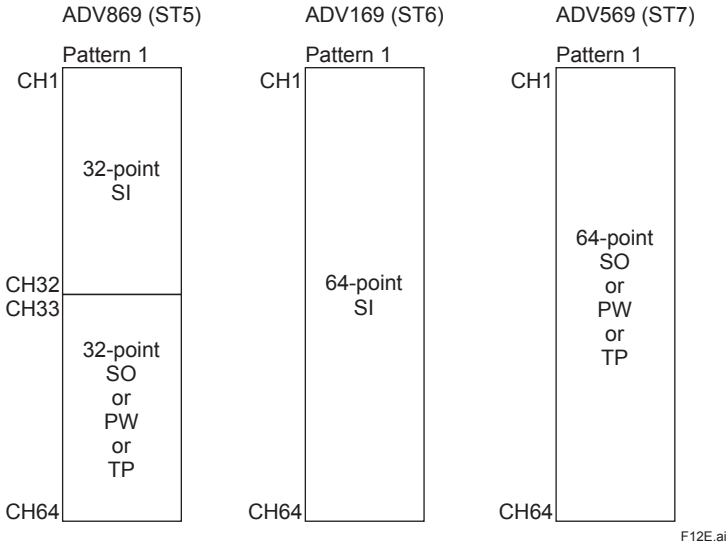
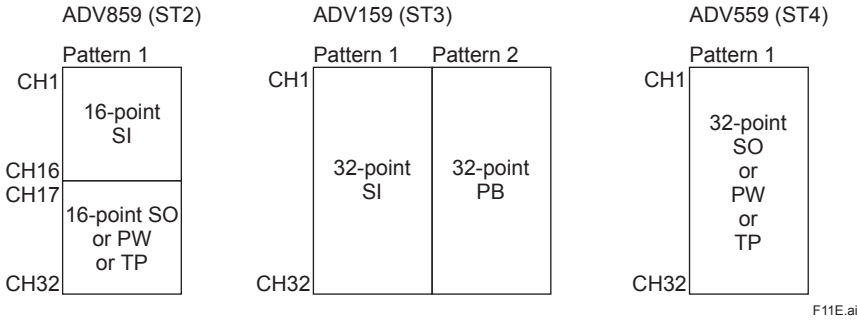
ADV561

	Pattern 1	Pattern 2	Pattern 3 (*2)
CH1	32-point (1-32ch) SO	32-point PW or TP (*1)	32-point SO or PW or TP
CH32 CH33			
CH64	32-point (33-64ch) SO	32-point (33-64ch) SO	32-point (33-64ch) SO

F09E.ai

*1: If an odd-numbered terminal is specified as PW or TP, the next terminal cannot be specified as a different type.

*2: This pattern applies only for direct-connected nodes. Dual redundancy is not possible.



For PW (pulse width output), use two contiguous terminal numbers; the first of these must be odd-numbered. If both PW and TP (time-proportioning ON/OFF output) are used together, successive pairs of terminals must be either PW or TP terminals, as shown in the example below.

Example:

Terminals 1 and 2	PW (one PW output, two contiguous terminal nos.)
Terminals 3 and 4	TP (two outputs, two contiguous terminal nos.)
Terminals 5 and 6	TP (two outputs, two contiguous terminal nos.)
⋮	⋮
Terminals 15 and 16	PW (one PW output, two contiguous terminal nos.)

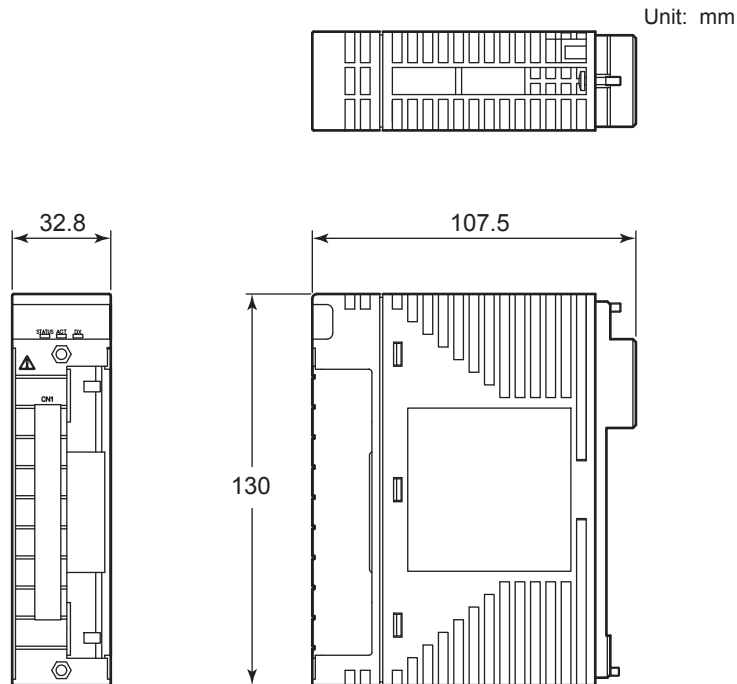
For PW output, use two contiguous terminal numbers; the first of these must be odd-numbered. Also if SO and TP terminals are used together with PW, individual terminals that are not PW can be either SO or TP terminals.

Example:

Terminals 1 and 2	PW (one PW output, two contiguous terminal nos.)
Terminal 3	TP or SO
Terminal 4	TP or SO
⋮	⋮
Terminal 16	TP or SO

EXTERNAL DIMENSIONS

● ADV151, ADV551 Digital I/O Module



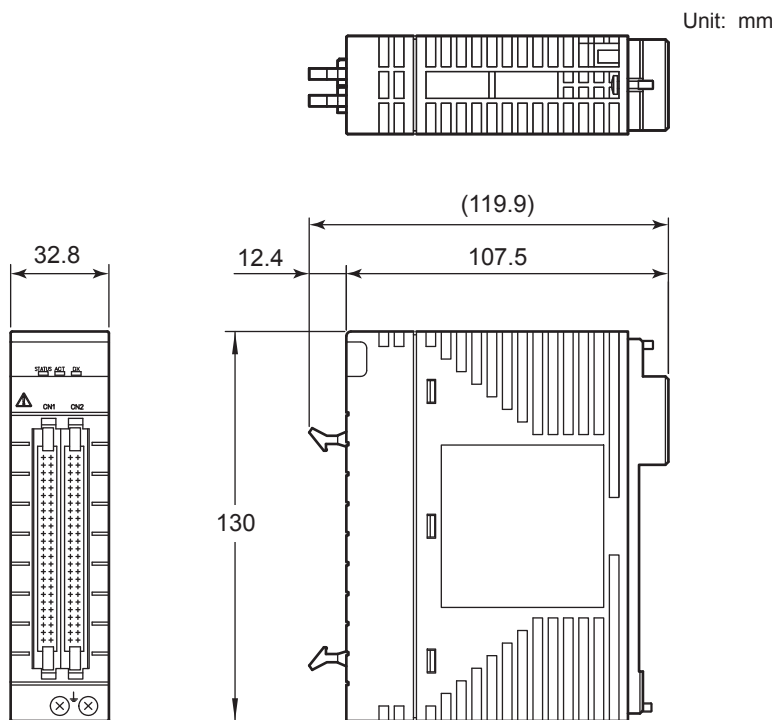
F01E.ai

Nominal Tolerances :

When the reference dimension is over 0.5 mm and equal or less than 120 mm, its nominal tolerance is ± 0.8 mm, while its combination of nominal tolerance is ± 1.5 mm.

When the reference dimension is over 120 mm, its nominal tolerance is in accordance with JEM 1459.

● ADV161, ADV561 Digital I/O Module



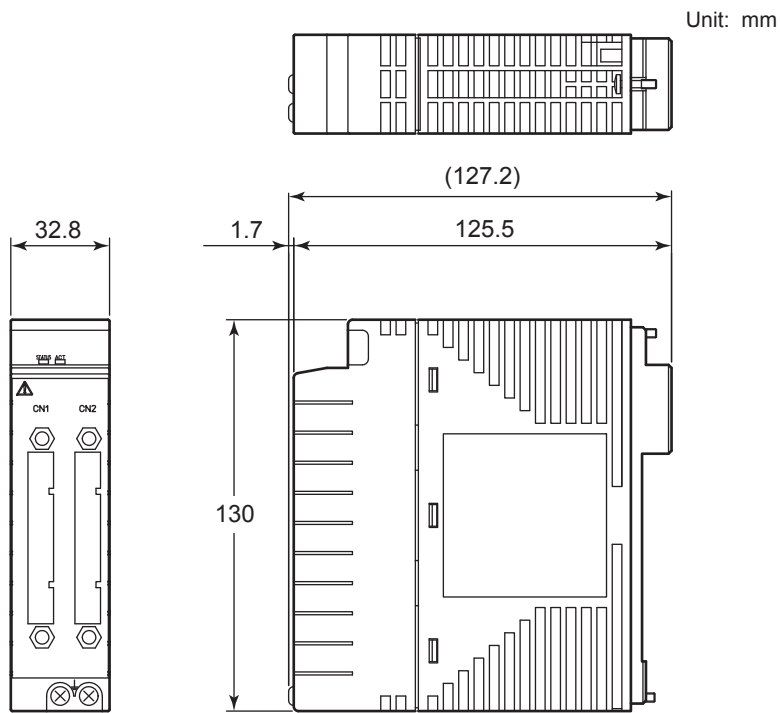
F04E.ai

Nominal Tolerances :

When the reference dimension is over 0.5 mm and equal or less than 120 mm, its nominal tolerance is ± 0.8 mm, while its combination of nominal tolerance is ± 1.5 mm.

When the reference dimension is over 120 mm, its nominal tolerance is in accordance with JEM 1459.

● **ADV859, ADV159, ADV559 Digital I/O Module for Compatible ST**



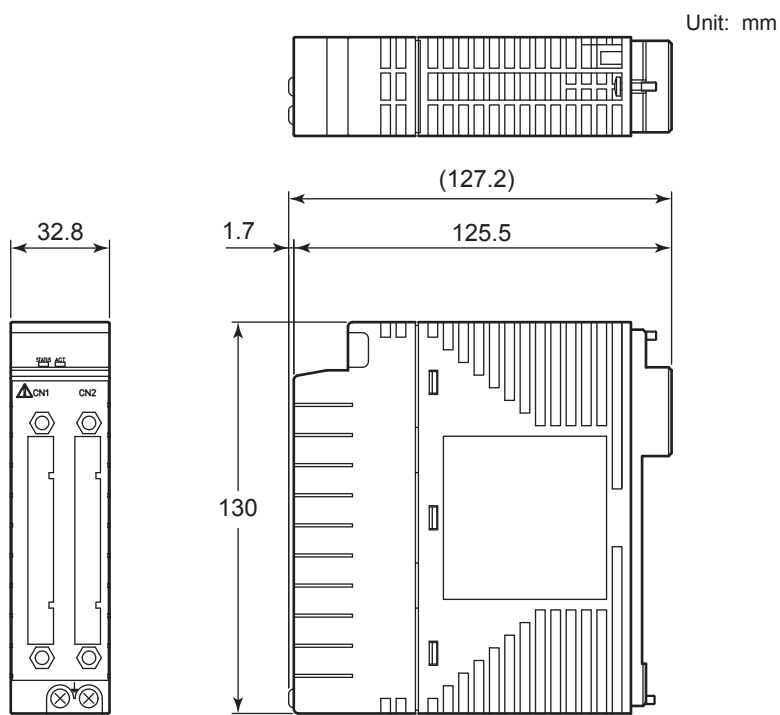
F05E.ai

Nominal Tolerances :

When the reference dimension is over 0.5 mm and equal or less than 120 mm, its nominal tolerance is ± 0.8 mm, while its combination of nominal tolerance is ± 1.5 mm.

When the reference dimension is over 120 mm, its nominal tolerance is in accordance with JEM 1459.

● **ADV869, ADV169, ADV569 Digital I/O Module for Compatible ST**



F06E.ai

Nominal Tolerances :

When the reference dimension is over 0.5 mm and equal or less than 120 mm, its nominal tolerance is ± 0.8 mm, while its combination of nominal tolerance is ± 1.5 mm.

When the reference dimension is over 120 mm, its nominal tolerance is in accordance with JEM 1459.

MODELS AND SUFFIX CODES

Digital Input Module

		Description
Model	ADV151	Digital Input Module (32-channel, 24 V DC, Isolated)
Suffix Codes	-P	With pushbutton input
	-E	With SOE capture (*1)
	5	Without status display; with no explosion protection
	6	With status display; with no explosion protection
	E	Without status display; with explosion protection
	F	With status display; with explosion protection
	0	Basic type
Option Codes	3	With ISA Standard G3 option and temperature (-20 to 70 °C) option
	/D5A00	With KS Cable Interface Adapter for 32-channel digital [Model: ATD5A-00]
	/B5S00	With Pressure Clamp Terminal Block for Digital Input [Model: ATB5S-00]
	/B5S10	With Pressure Clamp Terminal Block for Digital Input (surge absorber) [Model: ATB5S-10]
	/B5D00	With Dual Pressure Clamp Terminal Block for Digital Input [Model: ATB5D-00]
	/B5D10	With Dual Pressure Clamp Terminal Block for Digital Input (surge absorber) [Model: ATB5D-10]
	/CCC01	With Connector Cover for MIL Cable [Model: ACCC01]

*1: Please refer to GS 33J30D10-01EN when using it.

		Description
Model	ADV161	Digital Input Module (64-channel, 24 V DC, Isolated)
Suffix Codes	-P	With pushbutton input
	5	Without status display; with no explosion protection
	E	Without status display; with explosion protection
	0	Basic type
	1	With ISA Standard G3 option

Digital Output Module

		Description
Model	ADV551	Digital Output Module (32-channel, 24 V DC, Isolated)
Suffix Codes	-P	With pulse width output function/time-proportional output function
	5	Without status display; with no explosion protection
	6	With status display; with no explosion protection
	E	Without status display; with explosion protection
	F	With status display; with explosion protection
	0	Basic type
Option Codes	3	With ISA Standard G3 option and temperature (-20 to 70 °C) option
	/D5A00	With KS Cable Interface Adapter for 32-channel Digital [Model : ATD5A-00]
	/D5S00	With Pressure Clamp Terminal Block for Digital Output [Model : ATD5S-00]
	/D5S10	With Pressure Clamp Terminal Block for Digital Output (surge absorber) [Model : ATD5S-10]
	/D5D00	With Dual Pressure Clamp Terminal Block for Digital Output [Model : ATD5D-00]
	/D5D10	With Dual Pressure Clamp Terminal Block for Digital Output (surge absorber) [Model : ATD5D-10]
	/CCC01	With Connector Cover for MIL Cable [Model : ACCC01]

		Description
Model	ADV561	Digital Output Module (64-channel, 24 V DC, Isolated)
Suffix Codes	-P	With pulse width output function/time-proportional output function
	5	Without status display; with no explosion protection
	E	Without status display; with explosion protection
	0	Basic type
	1	With ISA Standard G3 option

Digital I/O Module

		Description
Model	ADV859	Digital I/O Module for Compatible ST2 (16-channel input/16-channel output, Isolated channels)
Suffix Codes	-P	With pulse width function/time-proportional output function
	0	Always 0
	0	Basic type
	1	With ISA Standard G3 option

		Description
Model	ADV159	Digital Input Module for Compatible ST3 (32-channel, Isolated channels)
Suffix Codes	-P	With pushbutton input
	0	Always 0
	0	Basic type
	1	With ISA Standard G3 option

		Description
Model	ADV559	Digital Output Module for Compatible ST4 (32-channel output, Isolated channels)
Suffix Codes	-P	With pulse width function/time-proportional output function
	0	Always 0
	0	Basic type
	1	With ISA Standard G3 option

		Description
Model	ADV869	Digital I/O Module for Compatible ST5 (32-channel input/32-channel output, Isolated, Common Minus Side Every 16-channel)
Suffix Codes	-P	With pulse width function/time-proportional output function
	0	Always 0
	0	Basic type
	1	With ISA Standard G3 option

		Description
Model	ADV169	Digital Input Module for Compatible ST6 (64-channel, Isolated, Common Minus Side Every 16-channel)
Suffix Codes	-P	Standard type
	0	Always 0
	0	Basic type
	1	With ISA Standard G3 option

		Description
Model	ADV569	Digital Output Module for Compatible ST7 (64-channel output, Isolated, Common Minus Side Every 16-channel)
Suffix Codes	-P	With pulse width function/time-proportional output function
	0	Always 0
	0	Basic type
	1	With ISA Standard G3 option

■ APPLICABLE STANDARDS

Refer to the GS “Integrated Production Control System CENTUM VP System Overview” (GS 33J01A10-01EN).

■ ORDERING INFORMATION

Specify the model and suffix codes.

For selecting the right products for explosion protection, please refer to TI 33Q01J30-01E without fail.

■ TRADEMARK

- CENTUM is either a registered trademark or a trademark of Yokogawa Electric Corporation.
- All other company or product names appearing in this document are trademarks or registered trademarks of their respective holders.