

D-SERIES DRM
DRM570024LT

Weidmüller Interface GmbH & Co. KG
 Klingenbergstraße 16
 D-32758 Detmold
 Germany
 Fon: +49 5231 14-0
 Fax: +49 5231 14-292083
 www.weidmueller.com



Relay from the D-SERIES DRM.

- 2 or 4 CO contacts
- Compact design
- Wide range of coil voltages
- Optional test button (AC red, DC blue)
- Optional with integrated status display (AC red, DC green)
and/or free-wheel diode

General ordering data

Type	DRM570024LT
Order No.	7760056097
Version	D-SERIES DRM, Relais, No. of contacts: 4, CO contact with test button, AgNi 0.15 gold flashed, Rated control voltage: 24 V DC, Continuous current: 5 A, Plug-in connection
GTIN (EAN)	4032248855674
Qty.	20 pc(s).

D-SERIES DRM
DRM570024LT

Weidmüller Interface GmbH & Co. KG
 Klingenbergstraße 16
 D-32758 Detmold
 Germany
 Fon: +49 5231 14-0
 Fax: +49 5231 14-292083
 www.weidmueller.com

Technical data
Dimensions and weights

Width	21.5 mm	Height	28 mm
Depth	36 mm	Net weight	37.35 g

Temperatures

Humidity	35...85 % rel. humidity, no condensation	Operating temperature	-40 °C...60 °C
Storage temperature	-40 °C...70 °C		

Input

Rated control voltage	24 V DC	Rated current DC	36.9 mA
Power rating	0.9 W	Pull-in/drop-out voltage, typ.	18 V / 2.4 V DC
Coil resistance	630 Ω ± 10 %	Status indicator	Green LED, Mechanical

Output

Rated switching voltage	250 V AC	Max. switching voltage, AC	250 V
Continuous current	5 A	AC switching capacity (resistive), max.	1250 VA
DC switching capacity (resistive), max.	120 W @ 24 V	Switch-on delay	< 20 ms
Switch-off delay	< 20 ms	Min. switching power	12 V / 10 mA
Max. switching frequency at rated load	0.1 Hz		

Contact data

No. of contacts	4	Contact design	CO contact with test button
Contact material	AgNi 0.15 gold flashed	Mechanical service life	20 x 10 ⁶ switching cycles
Contact resistance	≤ 50 mΩ		

General data

Version	with LED, with test button	Test button	Yes
UL 94 flammability rating	V-0		

Insulation coordination

Rated voltage	250 V	Creepage and clearance distance input – output	≥ 5.5 mm
Dielectric strength input – output	1.8 kV _{eff} / 1 min.	Dielectric strength of neighbouring contacts	1 kV _{eff} / 1 min
Dielectric strength of open contact	1 kV _{eff} / 1 min	Impulse withstand voltage	6 kV (1.2/50 μs)
Protection degree	IP 20	Pollution severity	2
Surge voltage category	III		

Further details of approvals / standards

Certificate No. (cURus)	E312083
-------------------------	---------

Connection data

Wire connection method	Plug-in connection
------------------------	--------------------

Data sheet**D-SERIES DRM
DRM570024LT**

Weidmüller Interface GmbH & Co. KG
Klingenbergstraße 16
D-32758 Detmold
Germany
Fon: +49 5231 14-0
Fax: +49 5231 14-292083
www.weidmueller.com

Technical data**Classifications**

ETIM 3.0	EC001437	ETIM 5.0	EC001437
ETIM 6.0	EC001437	eClass 6.2	27-37-16-01
eClass 7.1	27-37-16-01	eClass 8.1	27-37-16-01
eClass 9.0	27-37-16-01		

Approvals

Approvals



ROHS

Conform

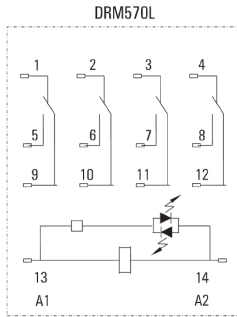
DownloadsDeclaration of Conformity [K5500215.pdf](#)

**D-SERIES DRM
DRM570024LT**

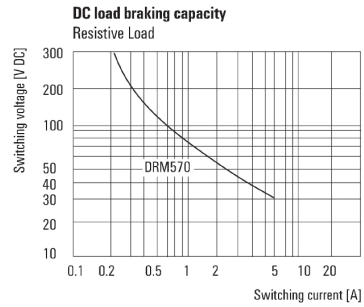
Weidmüller Interface GmbH & Co. KG
 Klingenbergstraße 16
 D-32758 Detmold
 Germany
 Fon: +49 5231 14-0
 Fax: +49 5231 14-292083
 www.weidmueller.com

Drawings

Wiring diagram

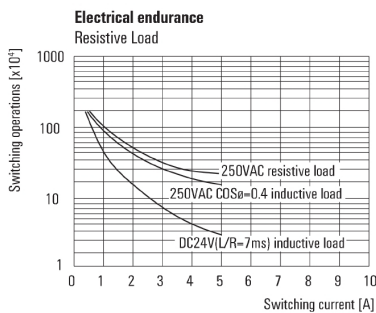


DC load limit curve

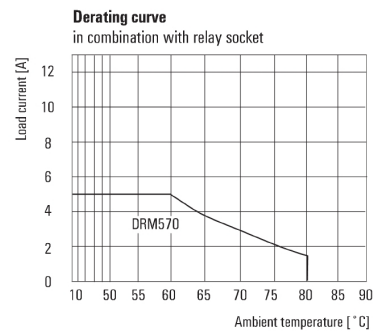


Resistive load

Electrical service life

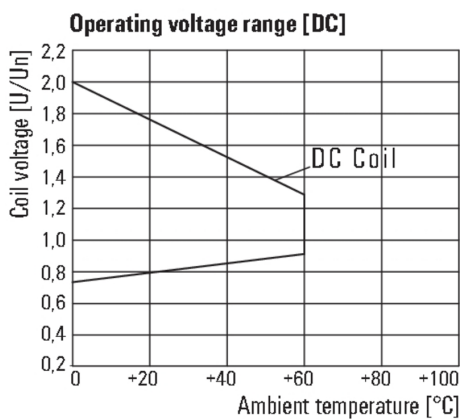


Derating curve

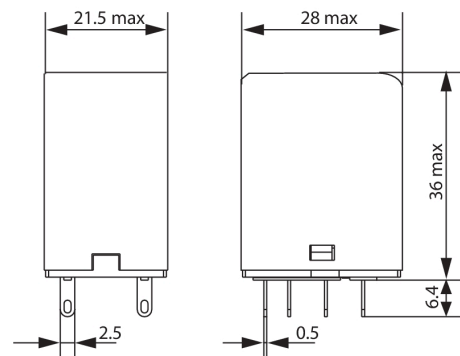


Relay in combination with base

DC operational voltage range



Dimensioned drawing



**D-SERIES DRM
DRM570024LT**

Weidmüller Interface GmbH & Co. KG
Klingenbergstraße 16
D-32758 Detmold
Germany
Fon: +49 5231 14-0
Fax: +49 5231 14-292083
www.weidmueller.com

Mating connector (fully pluggable)

Base



Accessories for D-SERIES relays include:

- Relay bases
- LED / Protective modules
- Metal retaining clips

General ordering data

Type	Order No.	Version	GTIN (EAN)	Qty.
FS 4CO	7760056107	D-SERIES DRM, Relay base, Continuous current: 10 A, Screw connection	4032248855575	10 pc(s).
Only available in certain countries	FS 4CO ECO	7760056127	D-SERIES, Relay base, Screw connection	4032248878161
Only available in certain countries	FS 4CO RL	7760056130	D-SERIES, Relay base, Screw connection	4032248855520
	SCM 4CO ECO 7760056264	D-SERIES DRM, Relay base, Continuous current: 6 A, Screw connection	6944169662973	10 pc(s).

Data sheet

**D-SERIES DRM
DRM570024LT**

Weidmüller Interface GmbH & Co. KG
 Klingenbergstraße 16
 D-32758 Detmold
 Germany
 Fon: +49 5231 14-0
 Fax: +49 5231 14-292083
 www.weidmueller.com

Drawings

Type codes

Type code			DRM					
Type	DRM							
Type of construction	570	4 change over contact						
Coil voltage	012	12 V DC		524	24 V AC			
	024	24 V DC		548	48 V AC			
	048	48 V DC		615	115 V AC			
	110	110 V DC		730	230 V AC			
	220	220 V DC						
LED	L (Red for AC coil; green for DC coil)							
Test lever	T (Red for AC coil; green for DC coil)							
Free wheeling diode	D							