

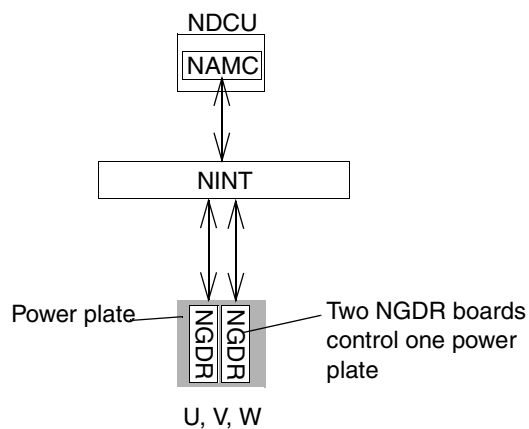
Control Boards One phase module block includes the following boards:

- main circuit interface board (NINT): This board gives the control commands and sends measurement signals.
- two control distribution boards (NXPP, in frame size R10i and up). These boards distribute the control commands given by the NINT board.
- gate driver boards (NGDR), in frame size R4i and up. These boards amplify the control pulses for the insulated gate bipolar transistors (IGBTs).
- power supply board for gate drivers (NGPS) in V-phase module
- power supply board (NPOW-62) in V-phase module. This board is not included in frame sizes R2i and R3i.
- main circuit board NBUB in frame size R3i

An inverter of frame size 2 x R12i includes twice the control boards of an R12i inverter. An inverter of frame size 3 x R12i includes three times the control boards of an R12i inverter, etc.

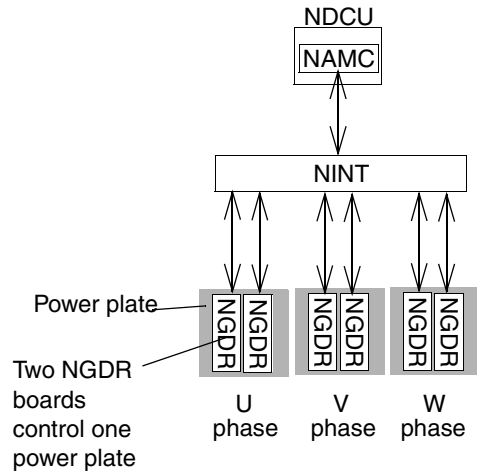
Control Board Diagram
(R4i to R7i)

This diagram shows the control boards that control an inverter of size R4i to R7i.



**Control Board Diagram
(R8i, R9i)**

This diagram shows the control boards that control an inverter of size R8i/R9i.



**Control Board Diagram
(2 x R8i, 2 x R9i)**

This diagram shows the control boards that control an inverter of sizes 2 x R8i and 2 x R9i.

