

# General Specifications

GS 33K50K30-50E

Models PW601, PW602  
 24 V DC Output Power Supply  
 Model AEP9D  
 Secondary Power Supply Bus Unit



[Release 5]

## ■ GENERAL

This GS covers the hardware specifications of the 24 V DC Output Power Supply (PW601, PW602) which supplies power to a Fieldbus power supply or a digital module of FIO, and covers also the hardware specifications of the Secondary Power Supply Bus Unit which branch received electricity from 24 V DC power supply (PW60□, etc.) to equipment installed in the cabinet. Up to 4 of dedicated power supply units can be installed to PW601 and PW602. The necessary number of unit depends on the power supply capacity to be used. Two power supply units are connected in parallel for dual-redundant configuration.

## ■ HARDWARE SPECIFICATIONS

For common installation environmental conditions and conforming standards, see Integrated Production Control System CENTUM VP System Overview (GS 33K01A10-50E, GS 33K01A20-50E). The specifications for one power supply unit to be installed in PW601 or PW602 is provided in the below.

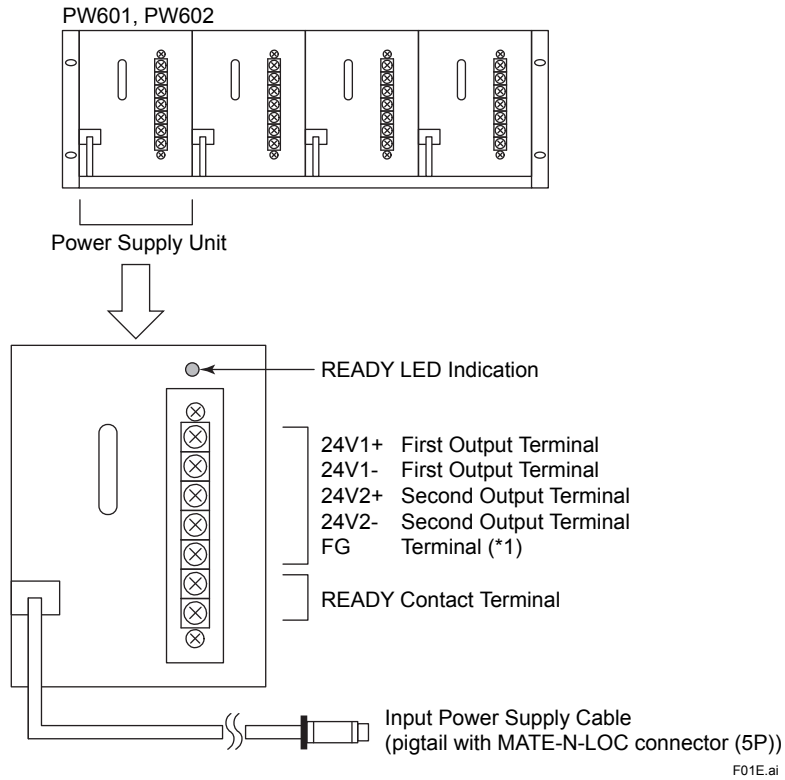
### ● Electrical Specifications of 24 V DC Output Power Supply

Item	Description	
	PW601	PW602
Input power supply voltage	100 to 120 V AC 50/60 Hz	220 to 240 V AC 50/60 Hz
Input power supply voltage tolerance	90 to 132 V AC	198 to 264 V AC
Max. input current power consumption	2.6 A 220 VA	1.25 A 220 VA
Rated output voltage	24 V DC ±5 %	24 V DC ±5 %
Environment temperature	0 to 60 °C	
Rated output current (temperature environment 0 to 50°C)	6 A (total of 1st output and 2nd output)	6 A (total of 1st output and 2nd output)
Rated output current (temperature environment 50 to 60°C)	4 A (total of 1st output and 2nd output)	4 A (total of 1st output and 2nd output)
Withstanding voltage	between input and FG terminal: 1500 V AC	between input and FG terminal: 1500 V AC
READY contact output	Contact rating: within 30 V DC, 0.1 A, Two terminals (NC, C), When power supply unit is abnormal, contact opens	
Output holdup time	20 ms	20 ms
Indication	READY LED (green): It lights up when normal	
Conforming standard	Safety standard [CSA] PW601 [CE Marking] PW602 [EAC Marking] PW602	EMC standard [CE Marking] PW602 [RCM] PW602 [KC Marking] PW602 [EAC Marking] PW602
Life span (overhaul cycle)	8 years (temperature environment 40 °C)	8 years (temperature environment 40 °C)
Weight	6 kg (for PW601-S10) 8 kg (for PW601-S20) 9 kg (for PW601-S30) 11 kg (for PW601-S40)	6 kg (for PW602-S10) 8 kg (for PW602-S20) 9 kg (for PW602-S30) 11 kg (for PW602-S40)

### ● Electrical Specifications of Secondary Power Supply Bus Unit

- Input power supply voltage: 24 V DC
- Withstanding voltage: 500 V AC, for one minute
- Max. input current / AEP9D: 20 A
- Max. input current /port: 10 A
- Standards conformed with:
  - Safety standard: [CSA], [CE Marking], [EAC Marking]
  - EMC standard: [CE Marking], [RCM], [KC Marking], [EAC Marking]
  - Standard for Hazardous Location Equipment: [CSA Non-Incendive], [FM Non-Incendive], [Type n]

### ■ NAME OF EACH PART



\*1: When you use PW60□ installed on ACB41, or use PW60□ with AEP7D, the FG terminals need not be connected.

### ■ DUAL-REDUNDANT CONFIGURATION

Using two power supply units supports dual-redundant configuration. To make dual-redundant configuration, two units are wired in outside of unit.

