

Procedure to Check the Current Date and Time

1. Wire the processor variables. Refer to the topic "Wire Processor Variables".
2. Build and download the program or perform an on-line update.
3. Check the current date and time settings:
 - Enter Debug mode
 - Request IXL Restricted Access
 - Force the RTC Read Boolean and all the time fields in the RTC Control Rack Variables to TRUE

IMPORTANT Do not force the RTC Write Boolean at this point.

- The RTC Status Variables will show the current date and time in the processor

Procedure to Set the Date and Time

1. Unlock the RTC Read variable so it turns FALSE.
2. Select each RTC Program Rack variable and enter the date and time values.
3. Toggle the RTC Write variable TRUE then FALSE to write the new date and time setting to the processor.
4. Lock and force the RTC Read variable to TRUE.
5. The RTC Status rack now displays the new date and time of the processor.
6. Unlock all the RTC Control variables.

Install I/O Modules

Do the following:

- Before inserting a new I/O module, examine it for damage.
- The identification labels on the sides of the I/O module will be hidden when the module is installed. Therefore before installation write down the location of the module and the details shown on the label.

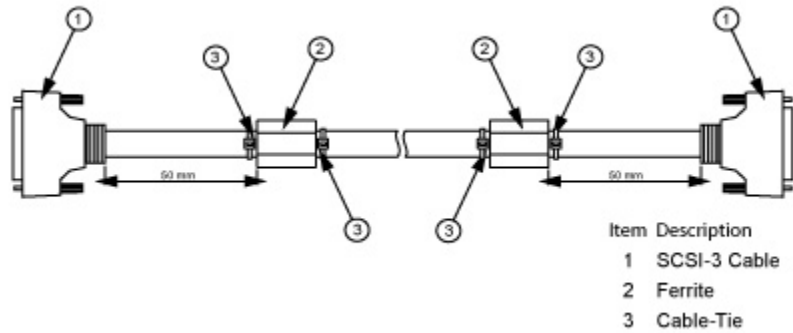
Installation

1. Examine the coding pegs on the termination assembly and make sure that they complement the sockets on the rear of the new I/O module.
2. Place the I/O module on to the dowel pins on the T9300 I/O base unit. Make sure the slot on the head of the module clamp screw is vertical and then push the module home until the module connectors are fully mated with the I/O base unit and termination assembly connectors.
3. The locking screw requires a quarter turn clockwise to lock. Use a broad (9mm) flat blade screwdriver to lock the clamp screw. The locking screw acts as a power interlock device and must be in the locked position when power is applied otherwise the module will not be configured.

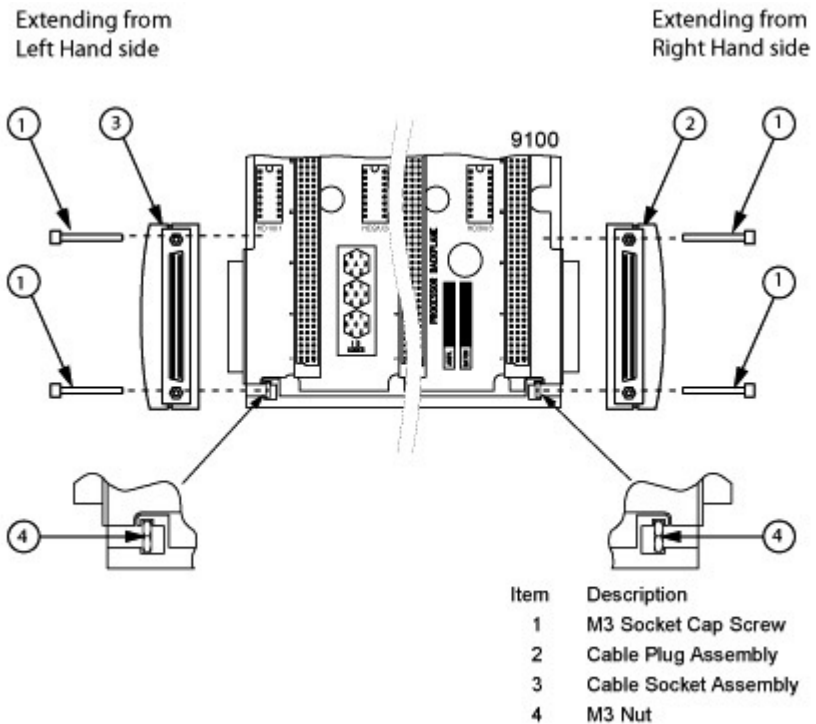
Install T9310 Expansion Cables

Use T9310 expansion cables to connect additional groups of T9300 I/O base units.

The ferrites supplied with the expansion cable are snap on components. Fit the ferrites 50 mm (2 in.) from each end and secure with cable ties either side of the ferrites.

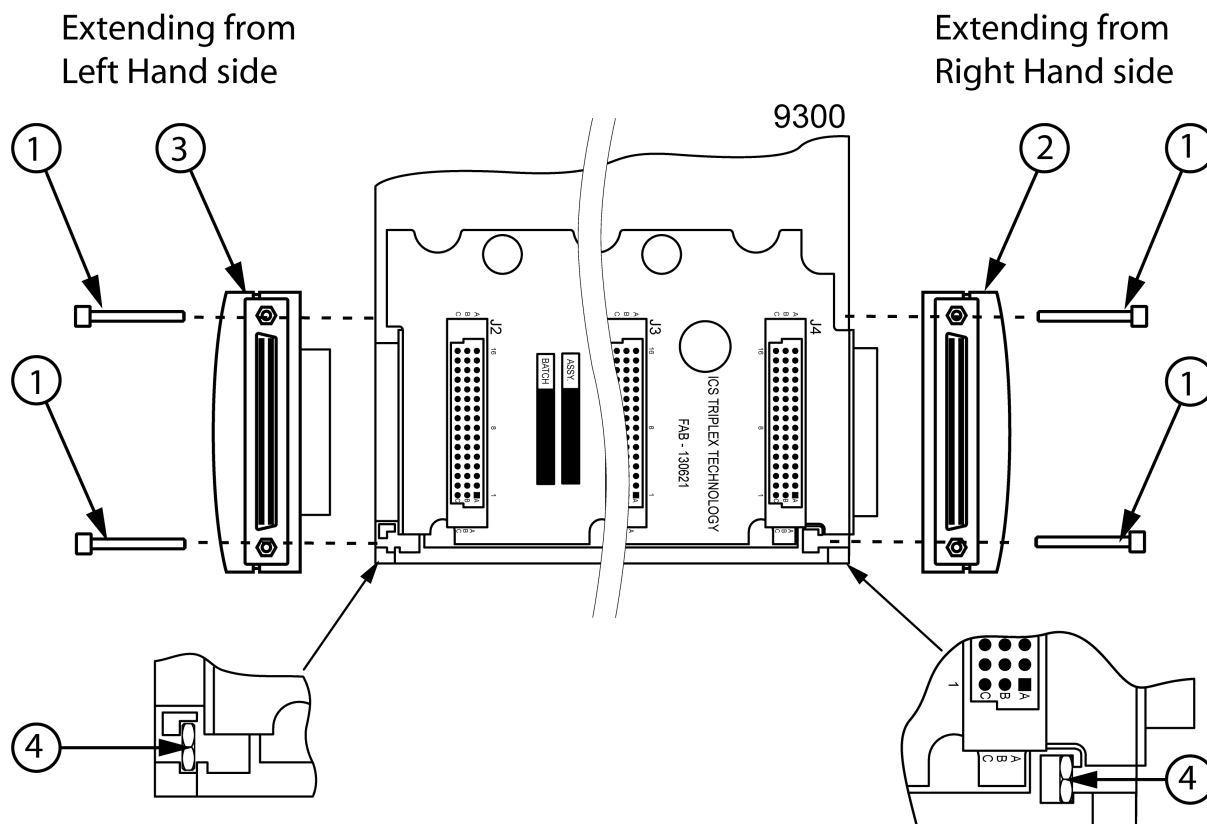


Connect Expansion Cable between T9100 Base Unit and T9300 I/O Base unit (I/O Bus2)



1. Connect the expansion cable to a T9100 processor base unit for an I/O Bus 2 connection.
 - Insert a cable socket assembly into the left hand connector of the T9100 processor base unit.
 - Secure the socket assembly by inserting the two M3 socket cap screws.
 - Tighten the screws with a 2.5 mm Allen key.
 - Install the cable to the socket assembly and tighten the retaining screws by hand.
2. Insert the free end of the expansion cable into a right hand socket of a T9300 I/O base unit.
 - Insert a cable plug assembly into the right hand socket of the processor or I/O base unit.
 - Secure the plug assembly by inserting the two M3 socket cap screws.
 - Tighten the screws with a 2.5 mm Allen key.
 - Install the cable to the plug assembly and tighten the retaining screws by hand.

Connect Between a T9300 I/O Base Unit and a T9300 I/O Base Unit



Item	Description
1	M3 Socket Cap Screw
2	Cable Plug Assembly
3	Cable Socket Assembly
4	M3 Nut

- Connect the expansion cable between a T9100 processor base unit (or a T9300 I/O Base unit) to a T9300 I/O base unit.
 - Insert a cable plug assembly into the right hand socket of the processor or I/O base unit.
 - Secure the plug assembly by inserting the two M3 socket cap screws.
 - Tighten the screws with a 2.5 mm Allen key.
 - Install the cable to the plug assembly and tighten the retaining screws by hand.
- Connect the free end of the expansion cable to the left hand plug of an I/O base unit using a cable socket assembly.
 - Insert a cable socket assembly into the left hand connector of the T9300 processor base unit.
 - Secure the socket assembly by inserting the two M3 socket cap screws.
 - Tighten the screws with a 2.5 mm Allen key.
 - Install the cable to the socket assembly and tighten the retaining screws by hand.